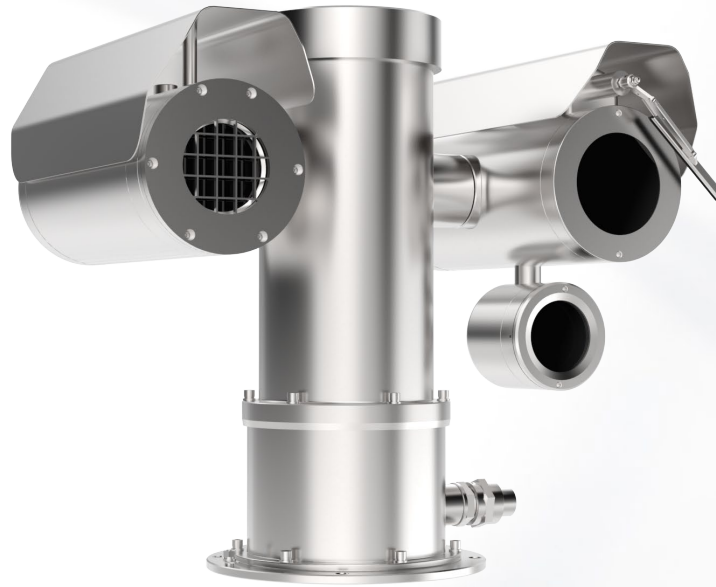


# EXDS100-A

Thermal Anti-Explosion  
Hybrid PTZ Camera

Explosion-Proof Guarding for Safety



## Introduction

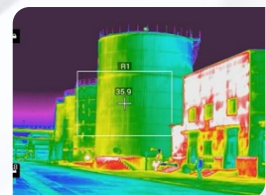
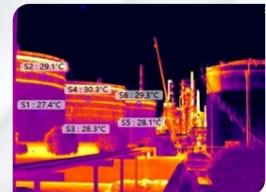
The EXDS100-A Thermal Anti-Explosion Hybrid PTZ Camera, equipped with a self-developed VOx uncooled infrared detector and a high-definition visible camera paired with a rotating PTZ, meets all-weather, all-around security monitoring needs. It holds dual explosion-proof certifications with a dual-sided load-bearing structure and integrated design, achieving an IP68 protection level. It can operate in gas Zone 1/Zone 2 and dust Zone 21/Zone 22, escorting enterprise safety production.

## Applications

Applicable to large-scale scenes such as factory perimeters or outdoor areas, including oil refineries, oil and gas transportation and storage, hazardous chemical warehouses, etc., for leakage and temperature anomaly monitoring and early warning.

## Features and Benefits

- o Dual Explosion-Proof Certifications of Ex db IIC T6 Gb/Ex tb IIIC T80°C Db
- o Suitable for harsh environments with the presence of various flammable gases or dust
- o 640x512 IR resolution with 25mm motorized focus lens for automatic focus
- o 4 MP visible camera with a 37x continuous zoom lens for easy coverage of distant and nearby targets
- o Motorized PTZ of 360° horizontal and 180° vertical, with a positioning accuracy of 0.5°
- o Support abnormal temperature alarms, fire detection algorithms, and various temperature measurement rule settings
- o Dual-sided load-bearing structure and integrated design for IP68 rating
- o Built-in various intelligent algorithms for human and vehicle filtering identification and perimeter protection
- o Support audible and visual alarms, alarm linkage with white light flashing and sound alarms, and remote voice intercom



## Specifications

Product model	EXDS100-A
<b>Thermographic</b>	
Detector type	VOx, 8μm to 14μm
IR resolution	640×512, 12μm
NETD	≤40mK@30°C
Lens	25mm, 17.5°×14°
Focusing mode	Electric
Pseudo colors	26 pseudo colors: White Hot, Black Hot, Rainbow and so on
Featured features	Detail enhancement, 2D/ 3D noise reduction, Image flip
<b>Temperature measurement</b>	
Measurement range	Low temperature mode: -20°C to 150°C, high temperature mode: -20°C to 550°C
Measurement accuracy	±2°C or ±2% (whichever is greater)
Target setting	Up to 300 presets; 12 spots/ lines/ areas (circle, square or irregular polygon) for each preset; Measurement for up to 12 simultaneous spot + line + area for each preset
Measurement function	Cold/ hot spot tracking, Full-screen point temperature measuring, Query and export of information
<b>Visible light</b>	
Sensor type	1/ 1.8" CMOS
Max. resolution	2560×1440
Min. illuminance	Color: 0.001lux @ (F1.5, AGC ON) B/W: 0.0001Lux @ (F1.5, AGC ON)
lens	6.5mm ~ 240mm, horizontal: 61.8°(near focus)- 1.86°(far focus), 1m-1.5m(near focus to far focus)
Fill light	Laser fill light
Featured features	Visible light gain control, 2D/ 3D noise reduction, Backlight compensation, Wide dynamic, Strong-light photoinhibition, Image flip, Exposure compensation
<b>PTZ</b>	
Pan/Tilt Range	Pan: 0° to 360° endless; Tilt: -90° to +90°
Manual Control Speed	Pan: 0.1° ~ 15°/s; Tilt: 0.1° ~ 15°/s
PTZ Function	Automatic Cruise, Automatic Tracking, Automatic Line Scanning, Power Outage Memory, Idle Movements, Scheduled Tasks, Telephoto Speed Limiting, Image Stabilization, Rain Wiping, etc.
<b>Image</b>	
Video compression	Switch between three standards H.265, H.264 and MJPEG
Image format	JPEG
Code stream	Visible light: Mainstream (1920×1080, 1280×720); Substream: (1280×720, D1); Thermal image stream 1280×1024@25Hz, 640×512@25Hz
<b>Protocol and storage</b>	
Network protocol	IPv4, HTTP, FTP, SMTp, RTSP, RTP, TCP, UDP, DHCP, ONVIF, GB/ T28181
SDK/ API	Open SDK/ API for software integration
Local storage	32G TF card
<b>System function</b>	
Language version	Chinese/ English
Browser	Supported
User management	Max. 20 users with two levels of user accounts (Admin and User)
Fault detection	Network disconnection detection, IP conflict detection, encoder status detection, memory card status detection, storage space detection
Intelligent functions	Tripwire Intrusion, Area Intrusion, Multiple Triggering Rules Linked Actions, Target Filtering, Fire Detection Alarm, Hot Spot Tracking, etc.
<b>Hardware interface</b>	
Power interface	AC100-240V or AC24V or DC24V
Network interface	One 10M/ 100M Ethernet port
Alarm interface	1 input and 1 output
Other interfaces	1-channel RS485, audio 1 in 1 out
<b>Environmental</b>	
Working temperature	-40°C~+60°C
Working humidity	≤90%, non-condensing
Encapsulation	IP68
<b>Physical</b>	
Size	≤526.4mm×489mm×340.5mm
Net weight	≤44.7kg
Installation mode	Standard bracket

